

# NLAS4599

## Low Voltage Single Supply SPDT Analog Switch

The NLAS4599 is an advanced high speed CMOS single pole – double throw analog switch fabricated with silicon gate CMOS technology. It achieves high speed propagation delays and low ON resistances while maintaining low power dissipation. This switch controls analog and digital voltages that may vary across the full power–supply range (from  $V_{CC}$  to GND).

The device has been designed so the ON resistance ( $R_{ON}$ ) is much lower and more linear over input voltage than  $R_{ON}$  of typical CMOS analog switches.

The channel select input is compatible with standard CMOS outputs.

The channel select input structure provides protection when voltages between 0 V and 5.5 V are applied, regardless of the supply voltage. This input structure helps prevent device destruction caused by supply voltage – input/output voltage mismatch, battery backup, hot insertion, etc.

- Channel Select Input Over–Voltage Tolerant to 5.5 V
- Fast Switching and Propagation Speeds
- Break–Before–Make Circuitry
- Low Power Dissipation:  $I_{CC} = 2 \mu\text{A}$  (Max) at  $T_A = 25^\circ\text{C}$
- Diode Protection Provided on Channel Select Input
- Improved Linearity and Lower ON Resistance over Input Voltage
- Latch–up Performance Exceeds 300 mA
- ESD Performance: Human Body Model > 2000 V; Machine Model > 200 V
- Chip Complexity: 38 FETs
- Pb–Free Packages are Available

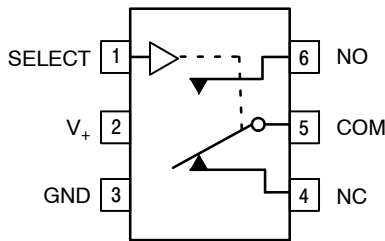


Figure 1. Pin Assignment

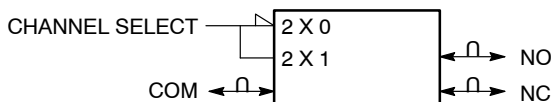


Figure 2. Logic Symbol

\*For additional information on our Pb–Free strategy and soldering details, please download the ON Semiconductor Soldering and Mounting Techniques Reference Manual, SOLDERRM/D.



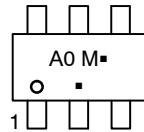
ON Semiconductor®

<http://onsemi.com>

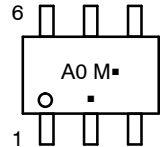
### MARKING DIAGRAMS



TSOP-6  
DT SUFFIX  
CASE 318G



SC-88  
DF SUFFIX  
CASE 419B



A0 = Specific Device Code

M = Date Code

▪ = Pb–Free Package

(Note: Microdot may be in either location)

### ORDERING INFORMATION

See detailed ordering and shipping information in the package dimensions section on page 9 of this data sheet.

### FUNCTION TABLE

| Select | ON Channel |
|--------|------------|
| L      | NC         |
| H      | NO         |

**ABSOLUTE MAXIMUM RATINGS**

| Symbol                | Parameter   | Value  | Unit        |
|-----------------------|---|--|-------------|
| V <sub>CC</sub>       | Positive DC Supply Voltage                                  | -0.5 to +7.0   | V           |
| V <sub>IS</sub>       | Analog Input Voltage (V <sub>NO</sub> or V <sub>COM</sub> ) | -0.5 ≤ V <sub>IS</sub> ≤ V <sub>CC</sub> + 0.5   | V           |
| V <sub>IN</sub>       | Digital Select Input Voltage                                | -0.5 ≤ V <sub>I</sub> ≤ + 7.0  | V           |
| I <sub>IK</sub>       | DC Current, Into or Out of Any Pin                          | ± 50   | mA          |
| P <sub>D</sub>        | Power Dissipation in Still Air                              | SC-88<br>200<br>TSOP-6<br>200  | mW          |
| T <sub>STG</sub>      | Storage Temperature Range                                   | -65 to +150  | °C          |
| T <sub>L</sub>        | Lead Temperature, 1mm from Case for 10 seconds              | 260  | °C          |
| T <sub>J</sub>        | Junction Temperature Under Bias                             | 150  | °C          |
| V <sub>ESD</sub>      | ESD Withstand Voltage                                       | Human Body Model (Note 1)<br>2000<br>Machine Model (Note 2)<br>200<br>Charged Device Model (Note 3)<br>N/A | V           |
| I <sub>LATCH-UP</sub> | Latch-Up Performance  | Above V <sub>CC</sub> and Below GND at 125°C (Note 4)  | ± 300<br>mA |
| θ <sub>JA</sub>       | Thermal Resistance  | SC-88<br>333<br>TSOP-6<br>333  | °C/W        |

Stresses exceeding Maximum Ratings may damage the device. Maximum Ratings are stress ratings only. Functional operation above the Recommended Operating Conditions is not implied. Extended exposure to stresses above the Recommended Operating Conditions may affect device reliability.

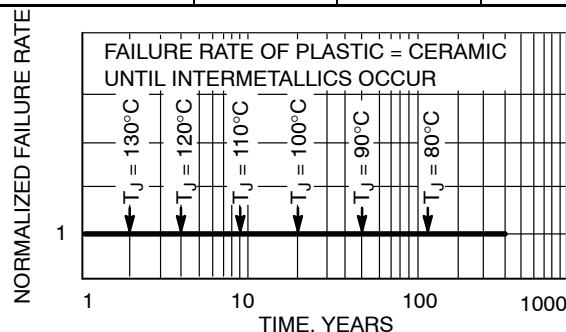
1. Tested to EIA/JESD22-A114-A
2. Tested to EIA/JESD22-A115-A
3. Tested to JESD22-C101-A
4. Tested to EIA/JESD78

**RECOMMENDED OPERATING CONDITIONS**

| Symbol                          | Characteristics                    | Min | Max             | Unit |
|---------------------------------|------------------------------------|-----|-----------------|------|
| V <sub>CC</sub>                 | DC Supply Voltage                  | 2.0 | 5.5             | V    |
| V <sub>IN</sub>                 | Digital Select Input Voltage       | GND | 5.5             | V    |
| V <sub>IS</sub>                 | Analog Input Voltage (NC, NO, COM) | GND | V <sub>CC</sub> | V    |
| T <sub>A</sub>                  | Operating Temperature Range        | -55 | +125            | °C   |
| t <sub>r</sub> , t <sub>f</sub> | Input Rise or Fall Time, SELECT    |     |                 | ns/V |
|                                 | V <sub>CC</sub> = 3.3 V ± 0.3 V    | 0   | 100             |      |
|                                 | V <sub>CC</sub> = 5.0 V ± 0.5 V    | 0   | 20              |      |

**DEVICE JUNCTION TEMPERATURE VERSUS TIME TO 0.1% BOND FAILURES**

| Junction Temperature °C | Time, Hours | Time, Years |
|-------------------------|-------------|-------------|
| 80                      | 1,032,200   | 117.8       |
| 90                      | 419,300     | 47.9        |
| 100                     | 178,700     | 20.4        |
| 110                     | 79,600      | 9.4         |
| 120                     | 37,000      | 4.2         |
| 130                     | 17,800      | 2.0         |
| 140                     | 8,900       | 1.0         |



**Figure 3. Failure Rate vs. Time Junction Temperature**

# NLAS4599

## DC CHARACTERISTICS – Digital Section (Voltages Referenced to GND)

| Symbol           | Parameter                                      | Condition   | V <sub>CC</sub> | Guaranteed Limit |       |        | Unit |
|------------------|--|---|-----------------|------------------|-------|--------|------|
|                  |  |   |                 | -55 to 25°C      | <85°C | <125°C |      |
| V <sub>IH</sub>  | Minimum High-Level Input Voltage, Select Input |   | 2.0             | 1.5              | 1.5   | 1.5    | V    |
|                  |  |   | 2.5             | 1.9              | 1.9   | 1.9    |      |
|                  |  |   | 3.0             | 2.1              | 2.1   | 2.1    |      |
|                  |  |   | 4.5             | 3.15             | 3.15  | 3.15   |      |
|                  |  |   | 5.5             | 3.85             | 3.85  | 3.85   |      |
| V <sub>IL</sub>  | Maximum Low-Level Input Voltage, Select Input  |   | 2.0             | 0.5              | 0.5   | 0.5    | V    |
|                  |  |   | 2.5             | 0.6              | 0.6   | 0.6    |      |
|                  |  |   | 3.0             | 0.9              | 0.9   | 0.9    |      |
|                  |  |   | 4.5             | 1.35             | 1.35  | 1.35   |      |
|                  |  |   | 5.5             | 1.65             | 1.65  | 1.65   |      |
| I <sub>IN</sub>  | Maximum Input Leakage Current, Select Input    | V <sub>IN</sub> = 5.5 V or GND                      | 5.5             | ±0.1             | ±1.0  | ±1.0   | μA   |
| I <sub>OFF</sub> | Power Off Leakage Current                      | V <sub>IN</sub> = 5.5 V or GND                      | 0               | ±10              | ±10   | ±10    | μA   |
| I <sub>CC</sub>  | Maximum Quiescent Supply Current               | Select and V <sub>IS</sub> = V <sub>CC</sub> or GND | 5.5             | 1.0              | 1.0   | 2.0    | μA   |

## DC ELECTRICAL CHARACTERISTICS – Analog Section

| Symbol                                       | Parameter                                 | Condition  | V <sub>CC</sub> | Guaranteed Limit |       |        | Unit |
|--|---|--|-----------------|------------------|-------|--------|------|
|  |   |  |                 | -55 to 25°C      | <85°C | <125°C |      |
| R <sub>ON</sub>                              | Maximum "ON" Resistance (Figures 17 – 23) | V <sub>IN</sub> = V <sub>IL</sub> or V <sub>IH</sub><br>V <sub>IS</sub> = GND to V <sub>CC</sub><br> I <sub>IN</sub>   ≤ 10.0 mA   | 2.5             | 85               | 95    | 105    | Ω    |
|  |   |  | 3.0             | 45               | 50    | 55     |      |
|  |   |  | 4.5             | 30               | 35    | 40     |      |
|  |   |  | 5.5             | 25               | 30    | 35     |      |
| R <sub>FLAT</sub> (ON)                       | ON Resistance Flatness (Figures 17 – 23)  | V <sub>IN</sub> = V <sub>IL</sub> or V <sub>IH</sub><br> I <sub>IN</sub>   ≤ 10.0 mA<br>V <sub>IS</sub> = 1V, 2V, 3.5V   | 4.5             | 4                | 4     | 5      | Ω    |
| ΔR <sub>ON</sub> (ON)                        | ON Resistance Match Between Channels      | V <sub>IN</sub> = V <sub>IL</sub> or V <sub>IH</sub><br> I <sub>IN</sub>   ≤ 10.0 mA<br>V <sub>NO</sub> or V <sub>NC</sub> = 3.5 V   | 4.5             | 2                | 2     | 3      | Ω    |
| I <sub>NC(OFF)</sub><br>I <sub>NO(OFF)</sub> | NO or NC Off Leakage Current (Figure 9)   | V <sub>IN</sub> = V <sub>IL</sub> or V <sub>IH</sub><br>V <sub>NO</sub> or V <sub>NC</sub> = 1.0 V <sub>COM</sub> 4.5 V  | 5.5             | 1                | 10    | 100    | nA   |
| I <sub>COM(ON)</sub>                         | COM ON Leakage Current (Figure 9)         | V <sub>IN</sub> = V <sub>IL</sub> or V <sub>IH</sub><br>V <sub>NO</sub> 1.0 V or 4.5 V with V <sub>NC</sub> floating or<br>V <sub>NO</sub> 1.0 V or 4.5 V with V <sub>NO</sub> floating<br>V <sub>COM</sub> = 1.0 V or 4.5 V | 5.5             | 1                | 10    | 100    | nA   |

# NLAS4599

## AC ELECTRICAL CHARACTERISTICS (Input $t_r = t_f = 3.0$ ns)

| Symbol           | Parameter                            | Test Conditions  | V <sub>CC</sub><br>(V) | V <sub>IS</sub><br>(V) | Guaranteed Max Limit |      |     |       |     |        | Unit |     |
|------------------|--------------------------------------|--|------------------------|------------------------|----------------------|------|-----|-------|-----|--------|------|-----|
|                  |                                      |  |                        |                        | -55 to 25°C          |      |     | <85°C |     | <125°C |      |     |
|                  |                                      |  |                        |                        | Min                  | Typ* | Max | Min   | Max | Min    |      | Max |
| t <sub>ON</sub>  | Turn-On Time<br>(Figures 12 and 13)  | R <sub>L</sub> = 300 Ω, C <sub>L</sub> = 35 pF<br>(Figures 5 and 6)                  | 2.5                    | 2.0                    | 5                    | 23   | 28  | 5     | 30  | 5      | 30   | ns  |
|                  |                                      |  | 3.0                    | 2.0                    | 5                    | 16   | 21  | 5     | 25  | 5      | 25   |     |
|                  |                                      |  | 4.5                    | 3.0                    | 2                    | 11   | 16  | 2     | 20  | 2      | 20   |     |
|                  |                                      |  | 5.5                    | 3.0                    | 2                    | 9    | 14  | 2     | 20  | 2      | 20   |     |
| t <sub>OFF</sub> | Turn-Off Time<br>(Figures 12 and 13) | R <sub>L</sub> = 300 Ω, C <sub>L</sub> = 35 pF<br>(Figures 5 and 6)                  | 2.5                    | 2.0                    | 1                    | 7    | 12  | 1     | 15  | 1      | 15   | ns  |
|                  |                                      |  | 3.0                    | 2.0                    | 1                    | 5    | 10  | 1     | 15  | 1      | 15   |     |
|                  |                                      |  | 4.5                    | 3.0                    | 1                    | 4    | 9   | 1     | 12  | 1      | 12   |     |
|                  |                                      |  | 5.5                    | 3.0                    | 1                    | 3    | 8   | 1     | 12  | 1      | 12   |     |
| t <sub>BBM</sub> | Minimum<br>Break-Before-Make<br>Time | V <sub>IS</sub> = 3.0 V (Figure 4)<br>R <sub>L</sub> = 300 Ω, C <sub>L</sub> = 35 pF | 2.5                    | 2.0                    | 1                    | 12   |     | 1     |     | 1      |      | ns  |
|                  |                                      |  | 3.0                    | 2.0                    | 1                    | 11   |     | 1     |     | 1      |      |     |
|                  |                                      |  | 4.5                    | 3.0                    | 1                    | 6    |     | 1     |     | 1      |      |     |
|                  |                                      |  | 5.5                    | 3.0                    | 1                    | 5    |     | 1     |     | 1      |      |     |

\*Typical Characteristics are at 25°C.

|                                    |   | Typical @ 25, V <sub>CC</sub> = 5.0 V |  |    |
|------------------------------------|---|---------------------------------------|--|----|
| C <sub>IN</sub>                    | Maximum Input Capacitance, Select Input | 8                                     |  | pF |
| C <sub>NO</sub> or C <sub>NC</sub> | Analog I/O (switch off)                 | 10                                    |  |    |
| C <sub>COM</sub>                   | Common I/O (switch off)                 | 10                                    |  |    |
| C <sub>(ON)</sub>                  | Feedthrough (switch on)                 | 20                                    |  |    |

## ADDITIONAL APPLICATION CHARACTERISTICS (Voltages Referenced to GND Unless Noted)

| Symbol           | Parameter   | Condition   | V <sub>CC</sub><br>(V) | Typical | Unit |
|------------------|---|---|------------------------|---------|------|
|                  |   |   |                        | 25°C    |      |
| BW               | Maximum On-Channel -3dB Bandwidth or<br>Minimum Frequency Response<br>(Figure 10) | V <sub>IN</sub> = 0 dBm<br>V <sub>IN</sub> centered between V <sub>CC</sub> and GND<br>(Figure 7)   | 3.0                    | 170     | MHz  |
|                  |   |   | 4.5                    | 200     |      |
|                  |   |   | 5.5                    | 200     |      |
| V <sub>ONL</sub> | Maximum Feedthrough On Loss   | V <sub>IN</sub> = 0 dBm @ 100 kHz to 50 MHz<br>V <sub>IN</sub> centered between V <sub>CC</sub> and GND<br>(Figure 7)   | 3.0                    | -3      | dB   |
|                  |   |   | 4.5                    | -3      |      |
|                  |   |   | 5.5                    | -3      |      |
| V <sub>ISO</sub> | Off-Channel Isolation<br>(Figure 10)  | f = 100 kHz; V <sub>IS</sub> = 1 V RMS<br>V <sub>IN</sub> centered between V <sub>CC</sub> and GND<br>(Figure 7)  | 3.0                    | -93     | dB   |
|                  |   |   | 4.5                    | -93     |      |
|                  |   |   | 5.5                    | -93     |      |
| Q                | Charge Injection Select Input to<br>Common I/O<br>(Figure 15)                     | V <sub>IN</sub> = V <sub>CC</sub> to GND, F <sub>IS</sub> = 20 kHz<br>t <sub>r</sub> = t <sub>f</sub> = 3 ns<br>R <sub>IS</sub> = 0 Ω, C <sub>L</sub> = 1000 pF<br>Q = C <sub>L</sub> * ΔV <sub>OUT</sub><br>(Figure 8) | 3.0                    | 1.5     | pC   |
|                  |   |   | 5.5                    | 3.0     |      |
| THD              | Total Harmonic Distortion<br>THD + Noise<br>(Figure 14)                           | F <sub>IS</sub> = 20 Hz to 100 kHz, R <sub>L</sub> = R <sub>gen</sub> = 600 Ω,<br>C <sub>L</sub> = 50 pF<br>V <sub>IS</sub> = 5.0 V <sub>PP</sub> sine wave   | 5.5                    | 0.1     | %    |

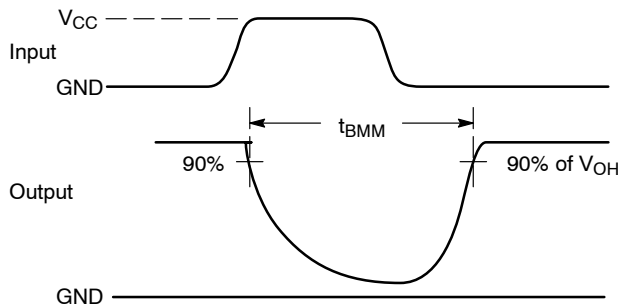
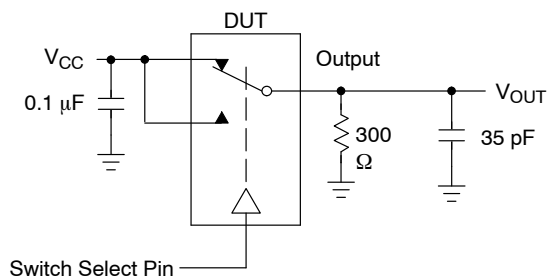


Figure 4.  $t_{BMM}$  (Time Break-Before-Make)

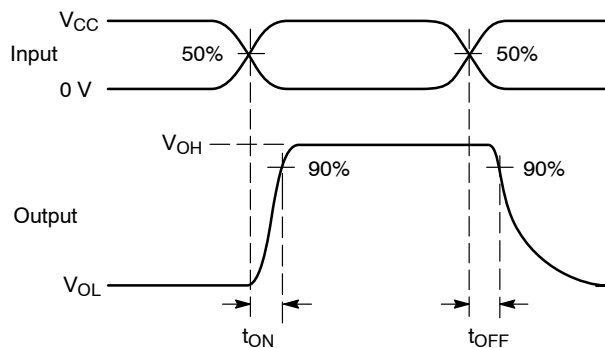
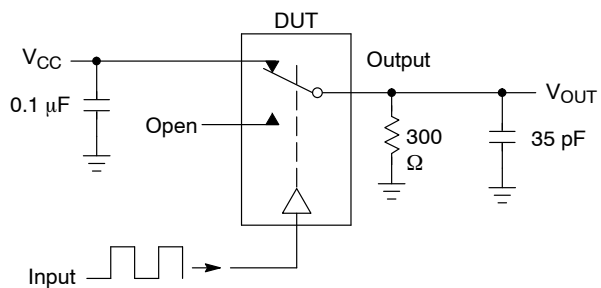


Figure 5.  $t_{ON}/t_{OFF}$

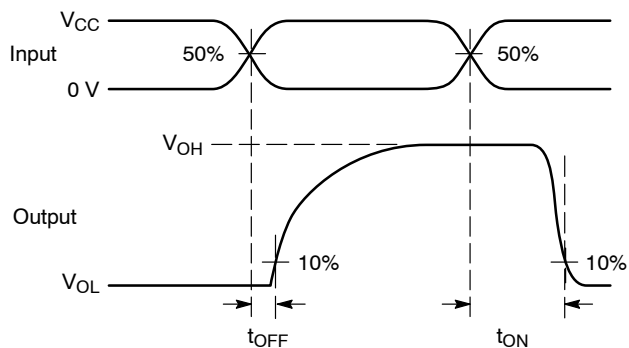
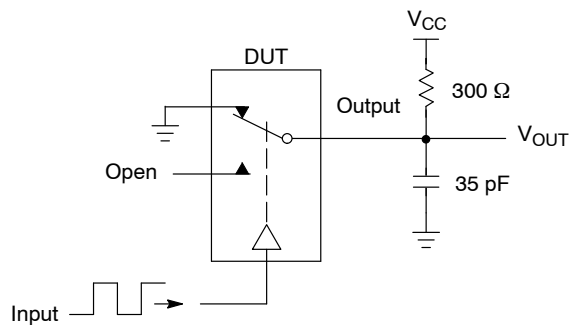
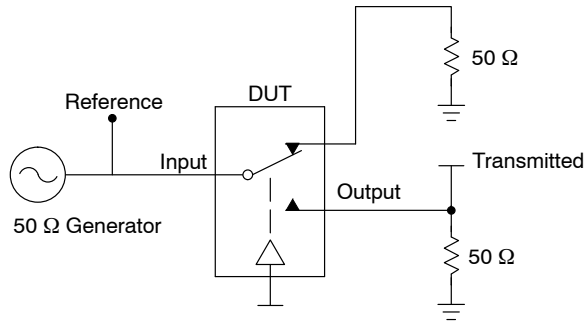


Figure 6.  $t_{ON}/t_{OFF}$

# NLAS4599



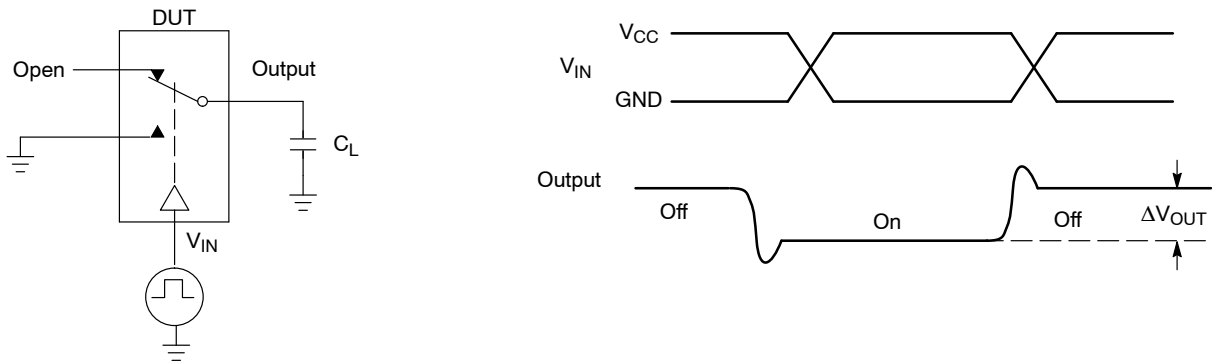
Channel switch control/s test socket is normalized. Off isolation is measured across an off channel. On loss is the bandwidth of an On switch.  $V_{ISO}$ , Bandwidth and  $V_{ONL}$  are independent of the input signal direction.

$$V_{ISO} = \text{Off Channel Isolation} = 20 \text{ Log} \left( \frac{V_{OUT}}{V_{IN}} \right) \text{ for } V_{IN} \text{ at } 100 \text{ kHz}$$

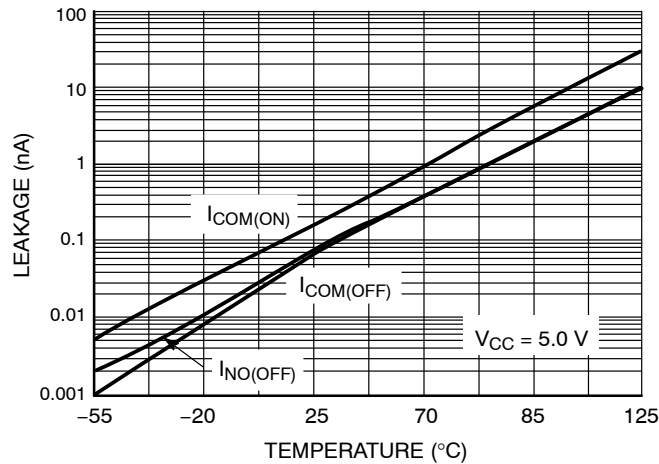
$$V_{ONL} = \text{On Channel Loss} = 20 \text{ Log} \left( \frac{V_{OUT}}{V_{IN}} \right) \text{ for } V_{IN} \text{ at } 100 \text{ kHz to } 50 \text{ MHz}$$

Bandwidth (BW) = the frequency 3 dB below  $V_{ONL}$

**Figure 7. Off Channel Isolation/On Channel Loss (BW)/Crosstalk (On Channel to Off Channel)/ $V_{ONL}$**



**Figure 8. Charge Injection: (Q)**



**Figure 9. Switch Leakage vs. Temperature**

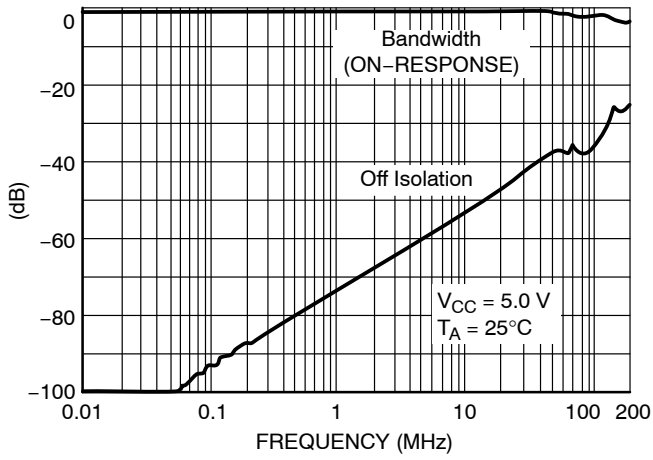


Figure 10. Bandwidth and Off-Channel Isolation

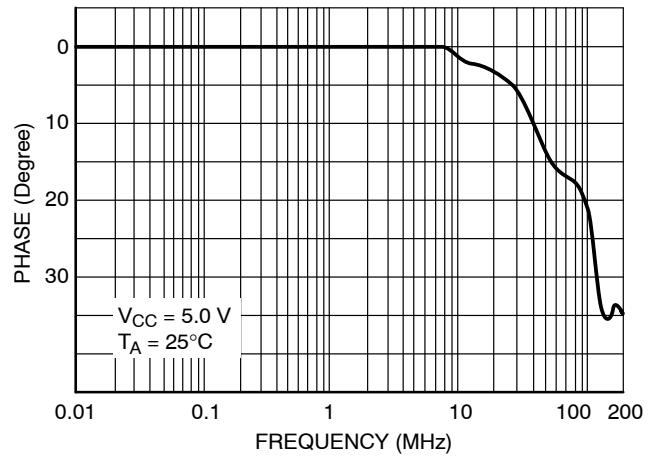


Figure 11. Phase vs. Frequency

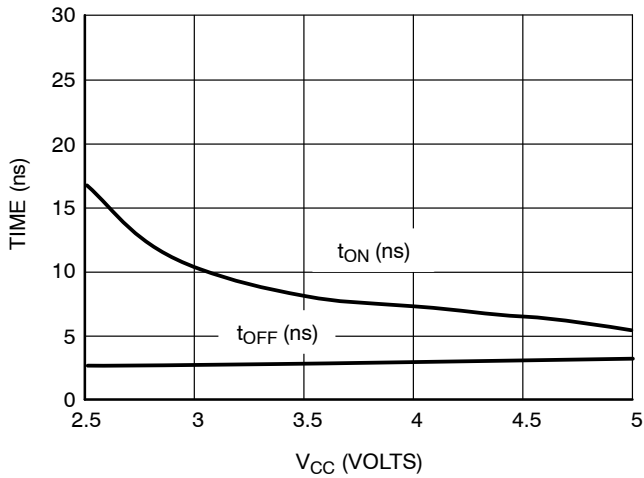


Figure 12.  $t_{ON}$  and  $t_{OFF}$  vs.  $V_{CC}$  at 25°C

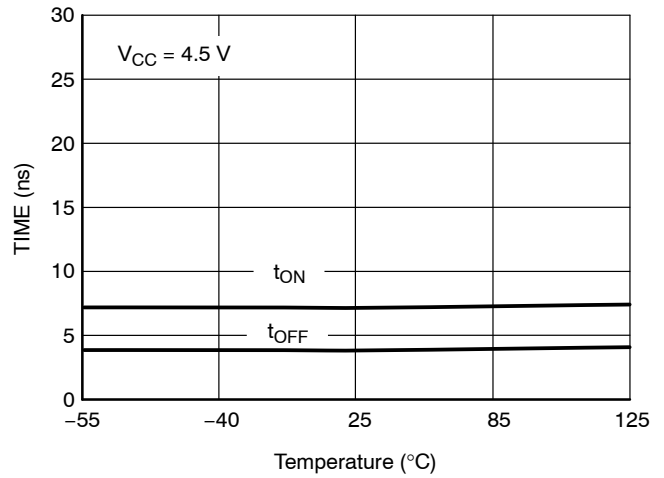


Figure 13.  $t_{ON}$  and  $t_{OFF}$  vs. Temp

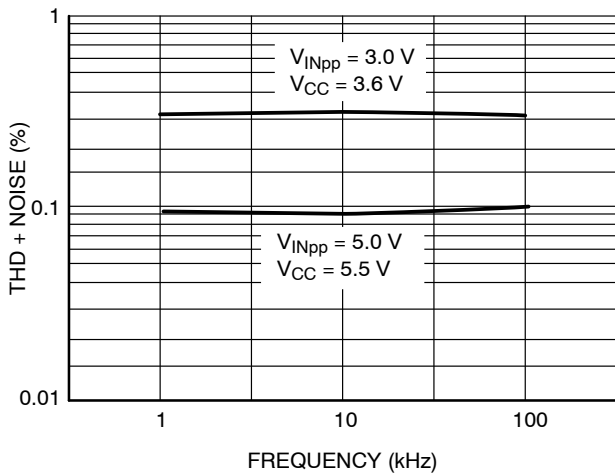


Figure 14. Total Harmonic Distortion Plus Noise vs. Frequency

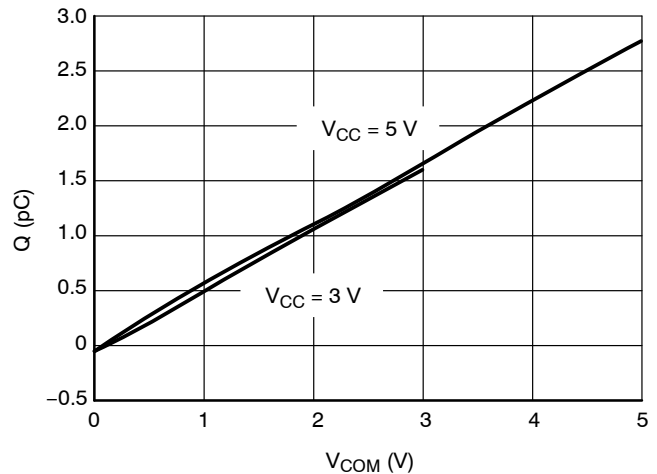


Figure 15. Charge Injection vs. COM Voltage

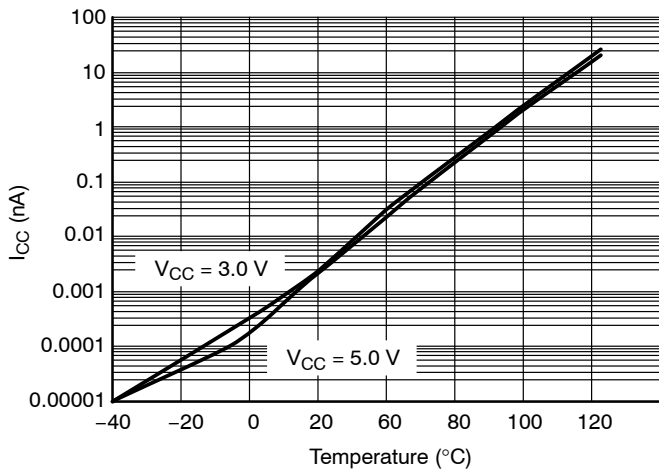


Figure 16.  $I_{CC}$  vs. Temp,  $V_{CC} = 3\text{ V}$  &  $5\text{ V}$

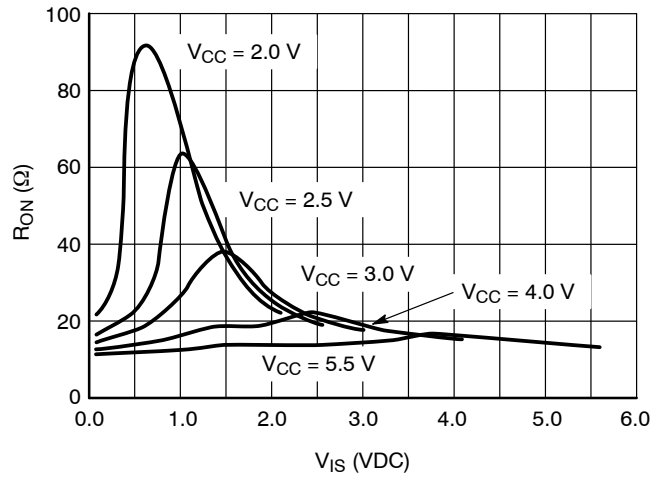


Figure 17.  $R_{ON}$  vs.  $V_{CC}$ , Temp =  $25^\circ\text{C}$

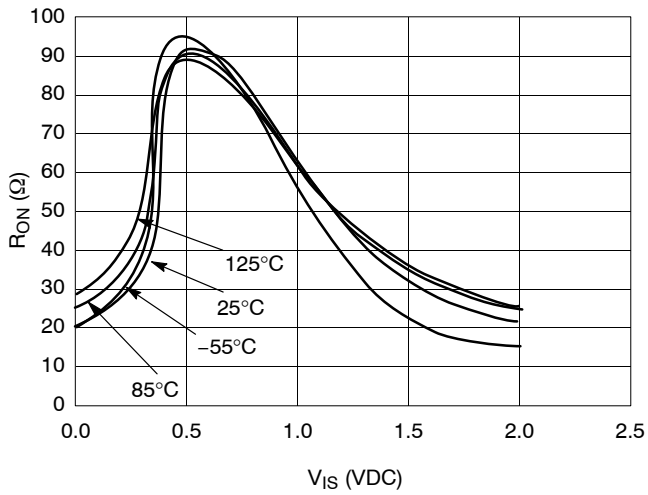


Figure 18.  $R_{ON}$  vs. Temp,  $V_{CC} = 2.0\text{ V}$

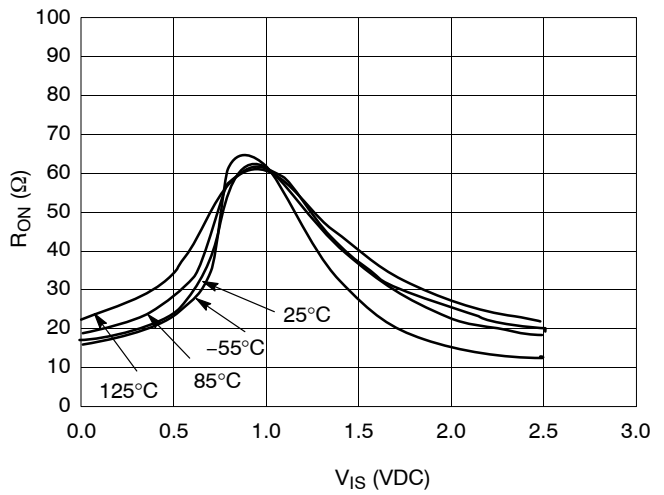


Figure 19.  $R_{ON}$  vs. Temp,  $V_{CC} = 2.5\text{ V}$

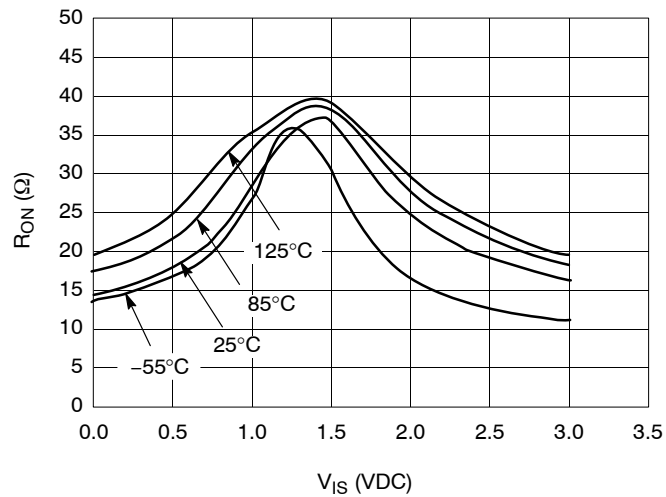


Figure 20.  $R_{ON}$  vs. Temp,  $V_{CC} = 3.0\text{ V}$

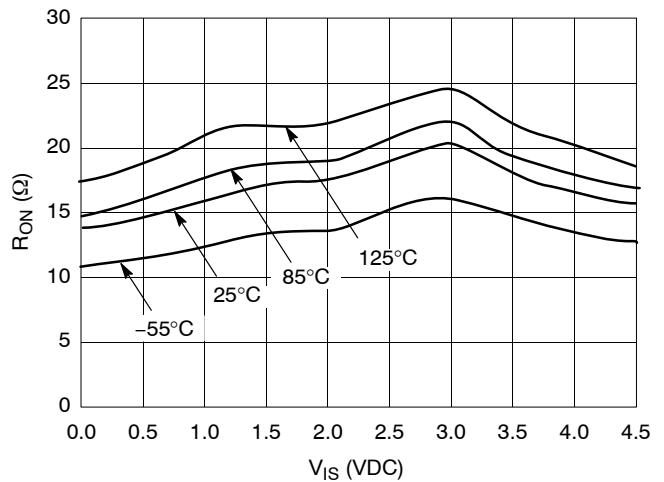


Figure 21.  $R_{ON}$  vs. Temp,  $V_{CC} = 4.5\text{ V}$



# NLAS4599

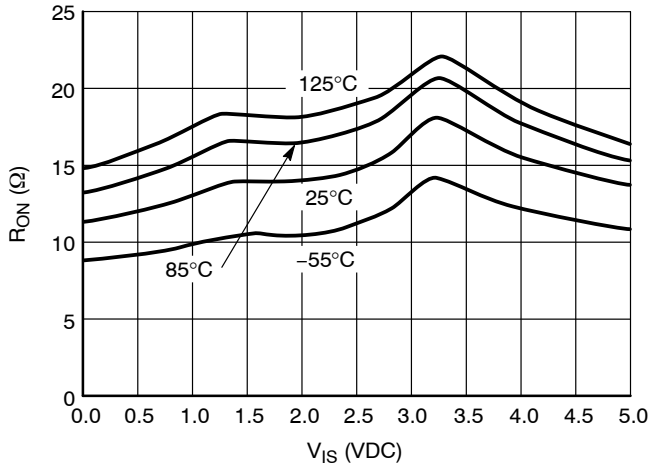


Figure 22.  $R_{ON}$  vs. Temp,  $V_{CC} = 5.0$  V

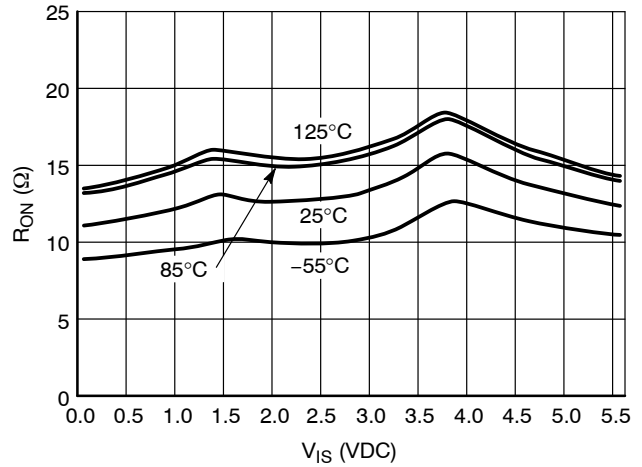


Figure 23.  $R_{ON}$  vs. Temp,  $V_{CC} = 5.5$  V

## ORDERING INFORMATION

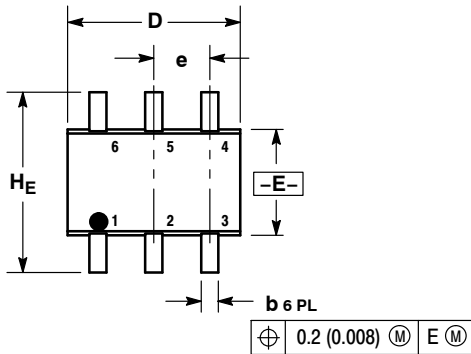
| Device        | Device Nomenclature |            |                 |        | Package             | Shipping <sup>†</sup> |
|---------------|---------------------|------------|-----------------|--------|---------------------|-----------------------|
|               | Circuit Indicator   | Technology | Device Function | Suffix |                     |                       |
| NLAS4599DFT2  | NL                  | AS         | DF              | T2     | SC-88               | 3000 / Tape & Reel    |
| NLAS4599DFT2G | NL                  | AS         | DF              | T2G    | SC-88<br>(Pb-Free)  | 3000 / Tape & Reel    |
| NLAS4599DTT1  | NL                  | AS         | DT              | T1     | TSOP-6              | 3000 / Tape & Reel    |
| NLAS4599DTT1G | NL                  | AS         | DT              | T1G    | TSOP-6<br>(Pb-Free) | 3000 / Tape & Reel    |
| NLVA4599DFT2  | NL                  | AS         | DF              | T2     | SC-88               | 3000 / Tape & Reel    |
| NLVA4599DFT2G | NL                  | AS         | DF              | T2G    | SC-88<br>(Pb-Free)  | 3000 / Tape & Reel    |
| NLVA4599DTT1  | NL                  | AS         | DT              | T1     | TSOP-6              | 3000 / Tape & Reel    |
| NLVA4599DTT1G | NL                  | AS         | DT              | T1G    | TSOP-6<br>(Pb-Free) | 3000 / Tape & Reel    |

<sup>†</sup>For information on tape and reel specifications, including part orientation and tape sizes, please refer to our Tape and Reel Packaging Specifications Brochure, BRD8011/D.

# NLAS4599

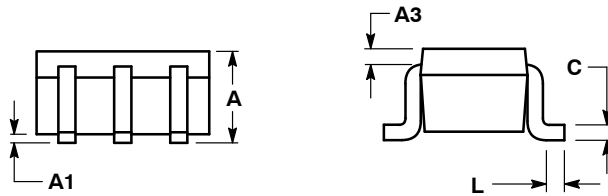
## PACKAGE DIMENSIONS

### SC-88/SC70-6/SOT-363 CASE 419B-02 ISSUE W

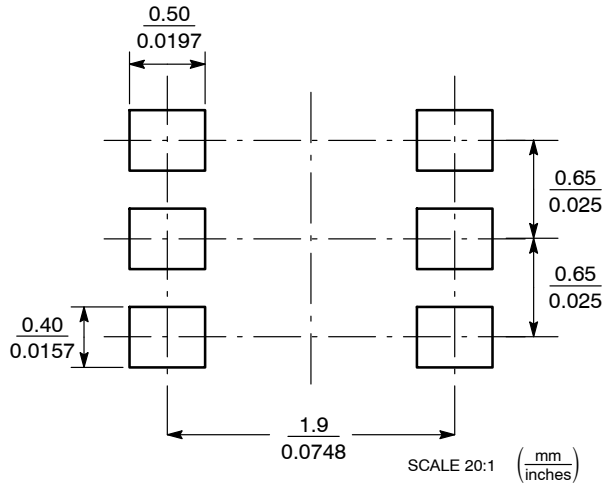


- NOTES:
1. DIMENSIONING AND TOLERANCING PER ANSI Y14.5M, 1982.
  2. CONTROLLING DIMENSION: INCH.
  3. 419B-01 OBSOLETE, NEW STANDARD 419B-02.

| DIM            | MILLIMETERS |      |      | INCHES    |       |       |
|----------------|-------------|------|------|-----------|-------|-------|
|                | MIN         | NOM  | MAX  | MIN       | NOM   | MAX   |
| A              | 0.80        | 0.95 | 1.10 | 0.031     | 0.037 | 0.043 |
| A1             | 0.00        | 0.05 | 0.10 | 0.000     | 0.002 | 0.004 |
| A3             | 0.20 REF    |      |      | 0.008 REF |       |       |
| b              | 0.10        | 0.21 | 0.30 | 0.004     | 0.008 | 0.012 |
| C              | 0.10        | 0.14 | 0.25 | 0.004     | 0.005 | 0.010 |
| D              | 1.80        | 2.00 | 2.20 | 0.070     | 0.078 | 0.086 |
| E              | 1.15        | 1.25 | 1.35 | 0.045     | 0.049 | 0.053 |
| e              | 0.65 BSC    |      |      | 0.026 BSC |       |       |
| L              | 0.10        | 0.20 | 0.30 | 0.004     | 0.008 | 0.012 |
| H <sub>F</sub> | 2.00        | 2.10 | 2.20 | 0.078     | 0.082 | 0.086 |



### SOLDERING FOOTPRINT\*



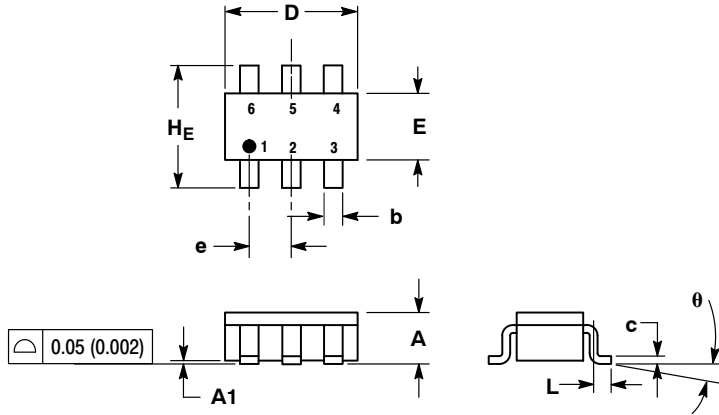
### SC-88/SC70-6/SOT-363

\*For additional information on our Pb-Free strategy and soldering details, please download the ON Semiconductor Soldering and Mounting Techniques Reference Manual, SOLDERRM/D.

# NLAS4599

## PACKAGE DIMENSIONS

### TSOP-6 CASE 318G-02 ISSUE S

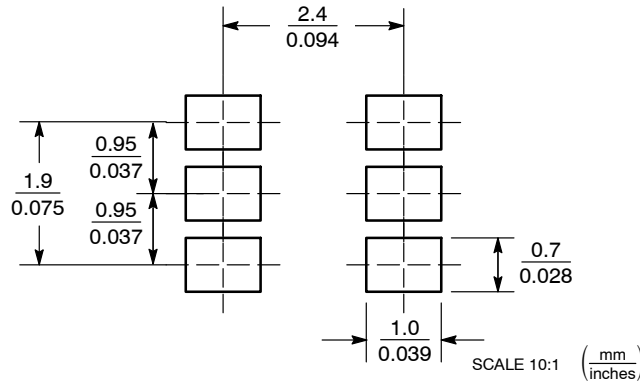


#### NOTES:

1. DIMENSIONING AND TOLERANCING PER ANSI Y14.5M, 1982.
2. CONTROLLING DIMENSION: MILLIMETER.
3. MAXIMUM LEAD THICKNESS INCLUDES LEAD FINISH THICKNESS. MINIMUM LEAD THICKNESS IS THE MINIMUM THICKNESS OF BASE MATERIAL.
4. DIMENSIONS A AND B DO NOT INCLUDE MOLD FLASH, PROTRUSIONS, OR GATE BURRS.

| DIM   | MILLIMETERS |      |      | INCHES |       |       |
|-------|-------------|------|------|--------|-------|-------|
|       | MIN         | NOM  | MAX  | MIN    | NOM   | MAX   |
| A     | 0.90        | 1.00 | 1.10 | 0.035  | 0.039 | 0.043 |
| A1    | 0.01        | 0.06 | 0.10 | 0.001  | 0.002 | 0.004 |
| b     | 0.25        | 0.38 | 0.50 | 0.010  | 0.014 | 0.020 |
| c     | 0.10        | 0.18 | 0.26 | 0.004  | 0.007 | 0.010 |
| D     | 2.90        | 3.00 | 3.10 | 0.114  | 0.118 | 0.122 |
| E     | 1.30        | 1.50 | 1.70 | 0.051  | 0.059 | 0.067 |
| e     | 0.85        | 0.95 | 1.05 | 0.034  | 0.037 | 0.041 |
| L     | 0.20        | 0.40 | 0.60 | 0.008  | 0.016 | 0.024 |
| HE    | 2.50        | 2.75 | 3.00 | 0.099  | 0.108 | 0.118 |
| theta | 0°          | -    | 10°  | 0°     | -     | 10°   |

#### SOLDERING FOOTPRINT\*



\*For additional information on our Pb-Free strategy and soldering details, please download the ON Semiconductor Soldering and Mounting Techniques Reference Manual, SOLDERRM/D.

ON Semiconductor and are registered trademarks of Semiconductor Components Industries, LLC (SCILLC). SCILLC reserves the right to make changes without further notice to any products herein. SCILLC makes no warranty, representation or guarantee regarding the suitability of its products for any particular purpose, nor does SCILLC assume any liability arising out of the application or use of any product or circuit, and specifically disclaims any and all liability, including without limitation special, consequential or incidental damages. "Typical" parameters which may be provided in SCILLC data sheets and/or specifications can and do vary in different applications and actual performance may vary over time. All operating parameters, including "Typicals" must be validated for each customer application by customer's technical experts. SCILLC does not convey any license under its patent rights nor the rights of others. SCILLC products are not designed, intended, or authorized for use as components in systems intended for surgical implant into the body, or other applications intended to support or sustain life, or for any other application in which the failure of the SCILLC product could create a situation where personal injury or death may occur. Should Buyer purchase or use SCILLC products for any such unintended or unauthorized application, Buyer shall indemnify and hold SCILLC and its officers, employees, subsidiaries, affiliates, and distributors harmless against all claims, costs, damages, and expenses, and reasonable attorney fees arising out of, directly or indirectly, any claim of personal injury or death associated with such unintended or unauthorized use, even if such claim alleges that SCILLC was negligent regarding the design or manufacture of the part. SCILLC is an Equal Opportunity/Affirmative Action Employer. This literature is subject to all applicable copyright laws and is not for resale in any manner.

#### PUBLICATION ORDERING INFORMATION

**LITERATURE FULFILLMENT:**  
Literature Distribution Center for ON Semiconductor  
P.O. Box 5163, Denver, Colorado 80217 USA  
**Phone:** 303-675-2175 or 800-344-3860 Toll Free USA/Canada  
**Fax:** 303-675-2176 or 800-344-3867 Toll Free USA/Canada  
**Email:** orderlit@onsemi.com

**N. American Technical Support:** 800-282-9855 Toll Free USA/Canada  
**Europe, Middle East and Africa Technical Support:**  
Phone: 421 33 790 2910  
**Japan Customer Focus Center**  
Phone: 81-3-5773-3850

**ON Semiconductor Website:** [www.onsemi.com](http://www.onsemi.com)  
**Order Literature:** <http://www.onsemi.com/orderlit>

For additional information, please contact your local Sales Representative